

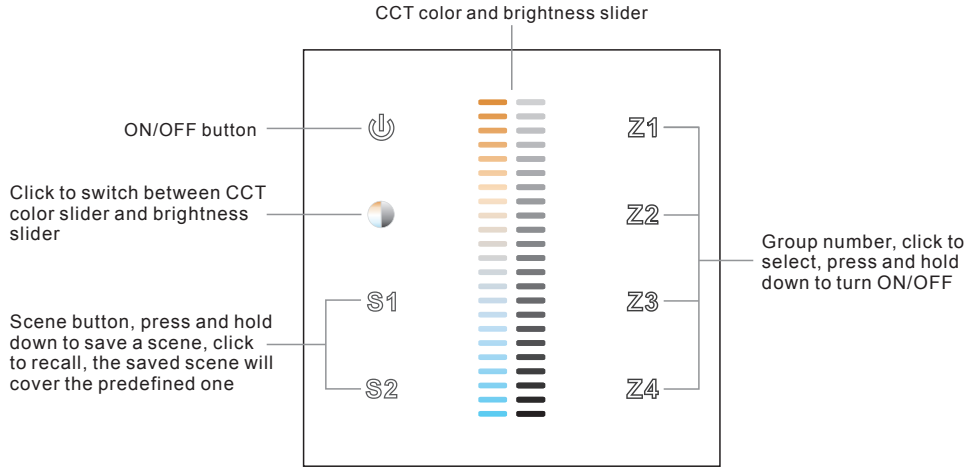
DT8 DALI Dual Color Touch Controller

09.230TC8.04065

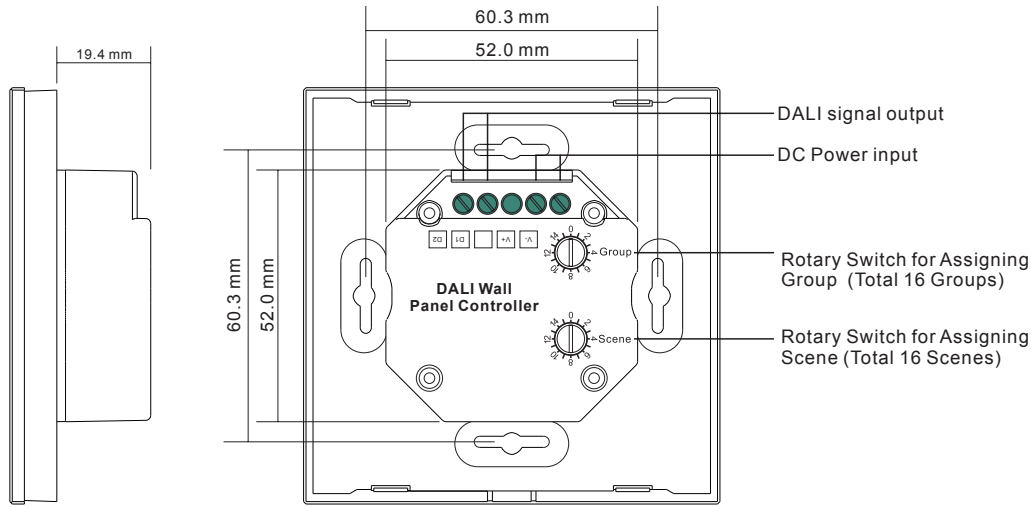


Important: Read All Instructions Prior to Installation

Function introduction



Front side



Back side

Product Data

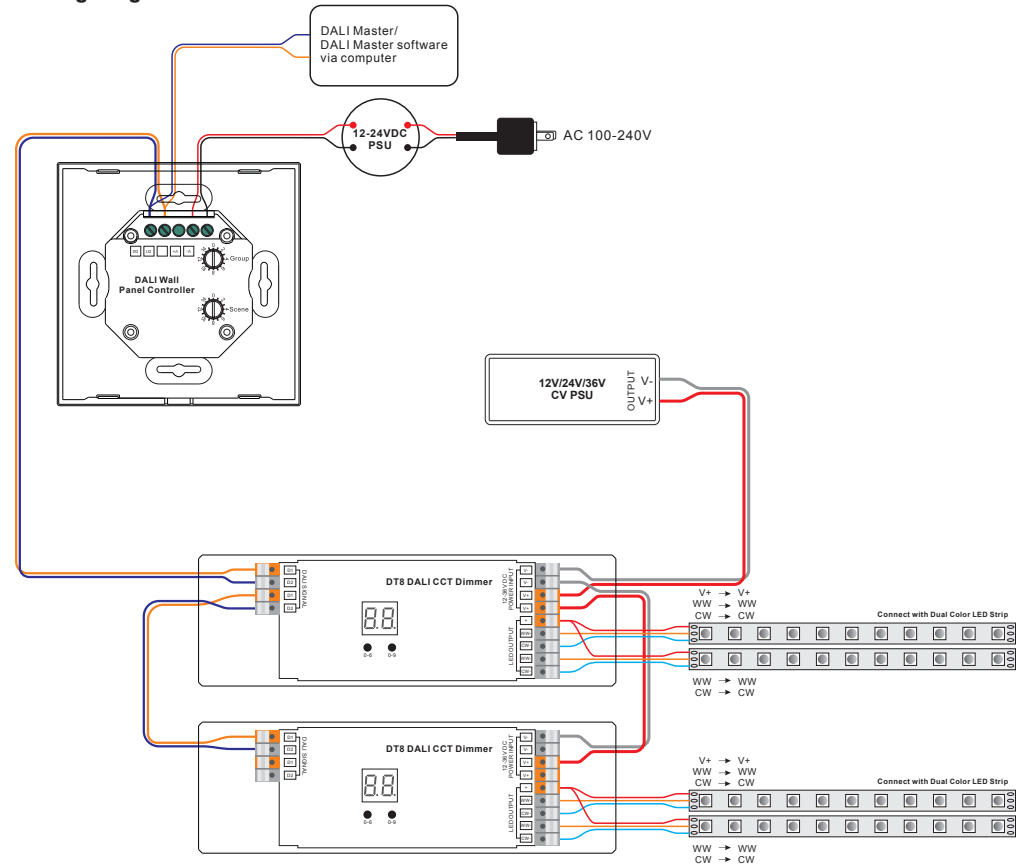
Output Signal	DALI signal
Power Supply	12-24VDC
Power consumption	200 mA
Operating temperature	0-40°C
Relative humidity	8% to 80%
Dimensions	86x86x29.1mm

- Touch sensitive.
- Glass interface(white & black).
- Comply to DALI standard protocol IEC 62386-102, IEC 62386-207, IEC 62386-209 and in compliance with DALI products from other international incorporation.
- Enable to control 4 DALI Groups and 2 DALI Scenes.
- Enable to set start DALI group number (0-15) and scene number (0-15) by rotary switches on the back.
- Supports DT8 devices
- Color temperature adjustment according to DALI specifications of Device Type 8, Color Type Tc.
- Each DT8 device is controlled via a single DALI address

Safety & Warnings

- DO NOT install with power applied to device.
- DO NOT expose the device to moisture.

Wiring diagram



Operation

1. Set starting Group number via rotary switch on the back: (0-15 selectable)

- This DALI touch panel controller enables dimming commands and DT8 commands to be sent to 4 Groups of devices on the DALI circuit. A rotary switch on the back is used to select Groups you would like to control and set the starting Group number, and total 16 Groups (0-15) can be selected.
- When the rotary switch arrow position is at 0, Z1 controls all 16 Groups of devices through broadcast, Z2 controls Group 0, Z3 controls group 1, and Z4 controls Group 2.
- When the rotary switch arrow position is at X except 0 (1-15), Z1 controls Group X-1 of devices, Z2 controls Group X, Z3 controls Group X+1, and Z4 controls Group X+2.

Please refer to the detailed Group setting table as follows:

Rotary Switch Position	0	1	2	3	4	5	6	7	8	9	10	11	12	13	14	15
DALI Group for button 1	Broadcast	0	1	2	3	4	5	6	7	8	9	10	11	12	13	14
DALI Group for button 2	0	1	2	3	4	5	6	7	8	9	10	11	12	13	14	15
DALI Group for button 3	1	2	3	4	5	6	7	8	9	10	11	12	13	14	15	0
DALI Group for button 4	2	3	4	5	6	7	8	9	10	11	12	13	14	15	0	1

2. Set starting Scene number via rotary switch on the back: (0-15 selectable)

- This DALI touch panel controller enables Scene selection commands for up to 2 Scenes to be sent to the DALI circuit. A rotary switch on the back is used to select Scenes you would like to control and set the starting scene number, and total 16 Scenes (0-15) can be selected.
- When the rotary switch arrow position is at X (0-15), Scene button S1 controls Scene X, and S2 controls Scene X+1.

Please refer to the detailed Scene setting table as follows:

Rotary Switch Position	0	1	2	3	4	5	6	7	8	9	10	11	12	13	14	15
Scene assigned to S1	0	1	2	3	4	5	6	7	8	9	10	11	12	13	14	15
Scene assigned to S2	1	2	3	4	5	6	7	8	9	10	11	12	13	14	15	0

Installation

