

TECHNICAL DATA

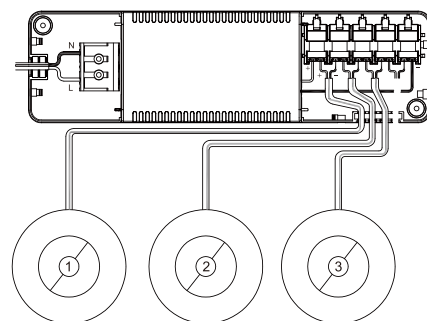
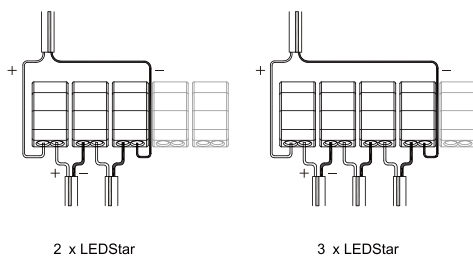
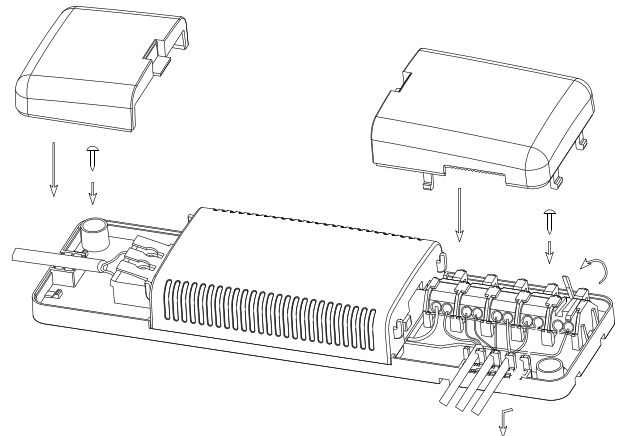
Power	15W
Input Voltage	220~240V 50/60Hz
Output Voltage	18-40V
Output Current	350mA
Power Factor	PF ≥ 0.9
Dimmable	10%~100%
IP Rating	IP20
Life Span	40,000 Hours

INSTALLATION



DIMENSION

Length	75mm
Height	26mm
Width	37mm



Remark: At least 2 pieces 4W cabinet lights is a must to the connection box, you can't link only 1 pcs to the connection box, otherwise, there will be some damage to the cabinet light