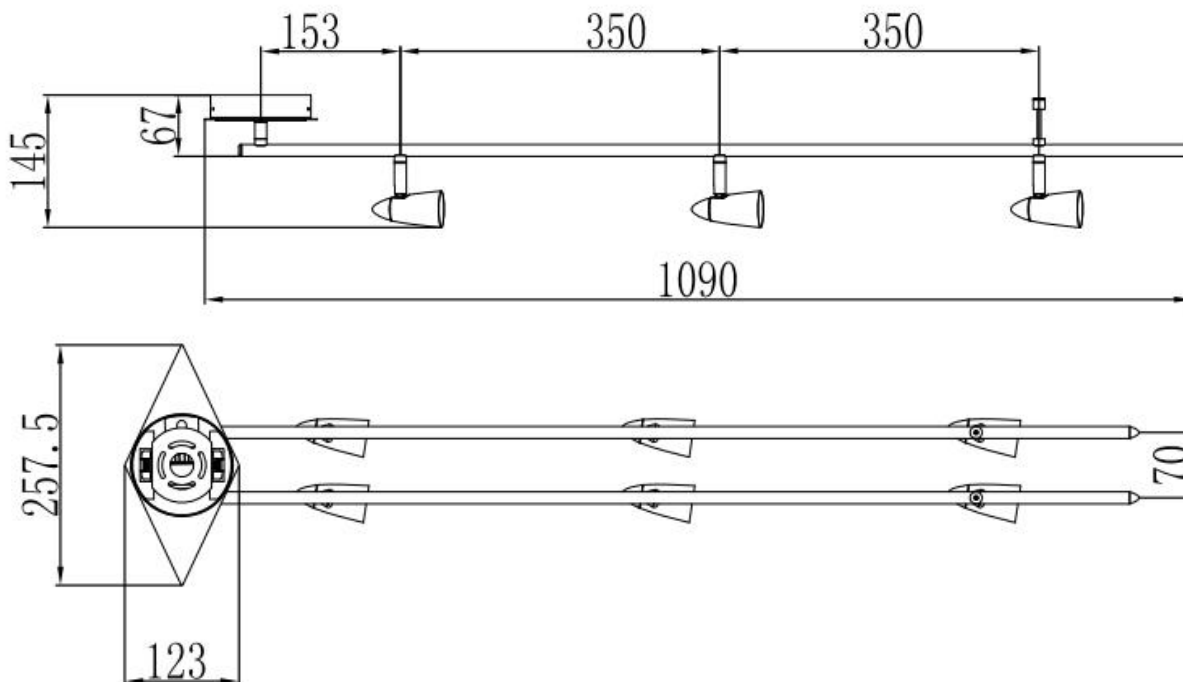




## TECHNICAL DATA

Voltage	220~240V
Type	Gu10
LED Lamp Wattage	5W LED × 3
Lumen	400lm × 3
Beam Angle	40°
Colour Temperature	2700K/ Warmdim
CRI	Ra ≥ 90
Power Factor	≥ 0.9
Dimmable	5%~100%
IP Rating	IP44
Life Span	40,000 Hours
Guarantee	5 years

## DIMENSION



## COMPONENT

Material	Die-cast aluminum, Metal
Colour	White/Brushed Nickel