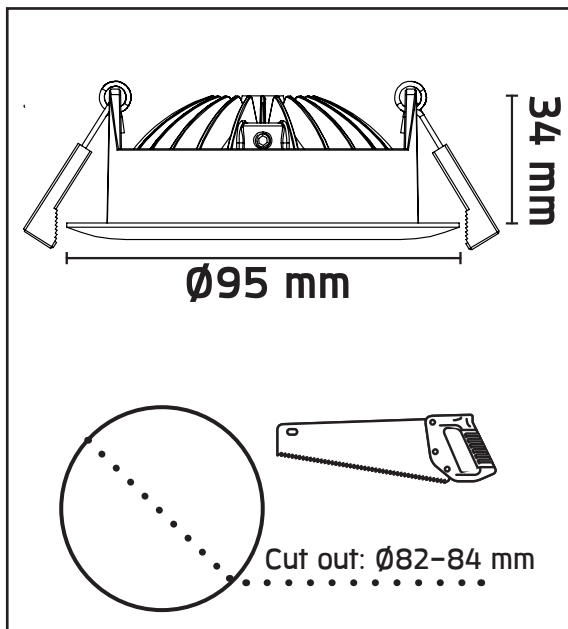




# LIMBO

220-240V 50/60 Hz 350mA LED 10W IP44\*

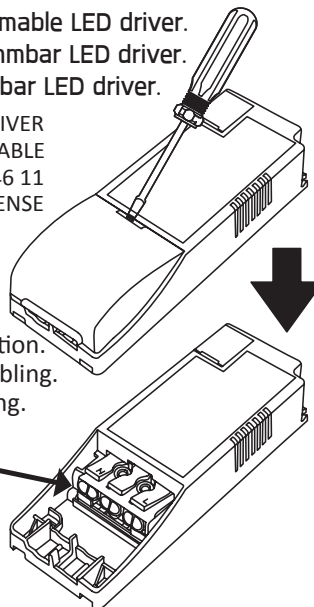


EN: Included dimmable LED driver.  
 NO: Inkludert dimmbar LED driver.  
 SE: Inklusive dimbar LED driver.

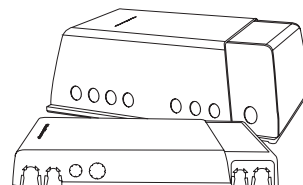
ART.: LED DRIVER  
 10W 350mA DIMMABLE  
 EL. NR: 66 146 11  
 BRAND: LUZENSE

EN: Cable connection.  
 NO: Ledningstilkobling.  
 SE: Kabelanslutning.

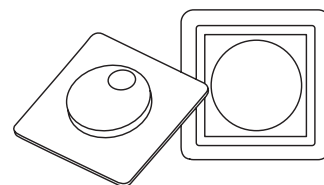
Max. 16A  
 Max. 2,5mm<sup>2</sup>



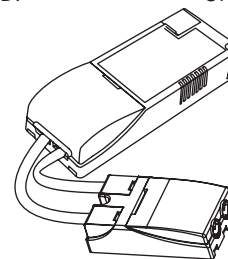
EN: CORRESPONDING PRODUCT.  
 NO: TILHØRENDE PRODUKT.  
 SE: TILLHÖRANDE PRODUKT.



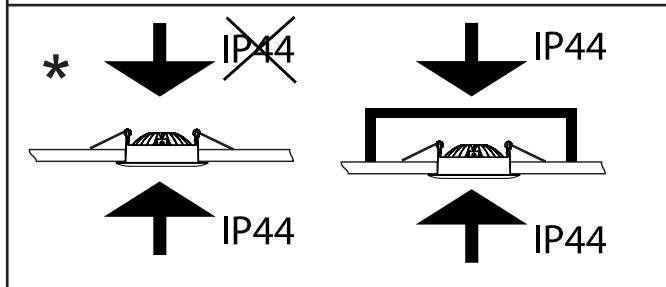
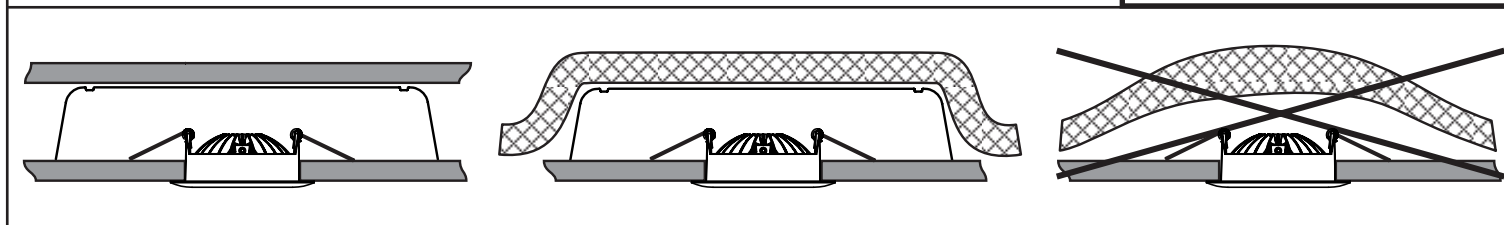
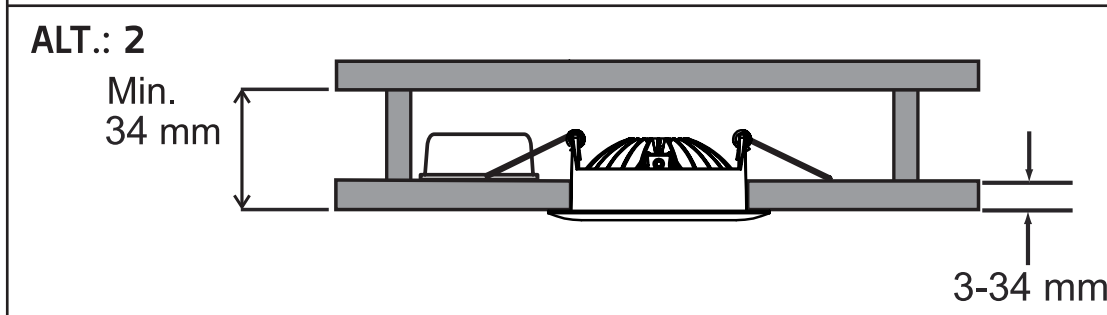
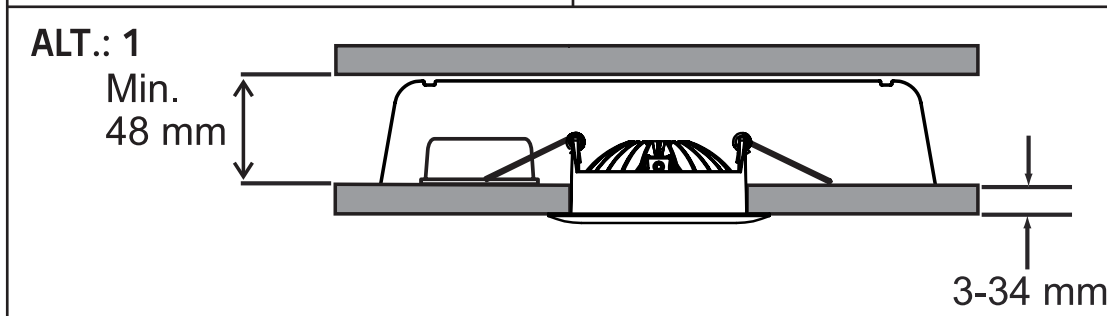
ART.: DOWNLIGHT BOX LOW  
 EL. NR: 32 249 21  
 ART.: DOWNLIGHT BOX HIGH  
 EL. NR: 32 249 20  
 BRAND: UNILAMP



ART.: DIMMER KDT-500E  
 EL. NR: 14 059 01 (1-POLE)  
 EL. NR: 14 059 02 (2-POLE)  
 ART.: DIMMER KDT-500IE  
 EL. NR: 14 059 03 (1-POLE MULTI)  
 BRAND: UNILAMP



ART.: DALI DIMMABLE LED DRIVER  
 10W 350mA  
 EL. NR: 66 146 18  
 BRAND: LUZENSE



EN: Minimum distance to flammable material in the beam direction.  
 NO: Minimumsavstand til brennbart materiale i armaturens stråleretning.  
 SE: Minsta avstånd mellan brännbart material och lampans ljusrättning.

