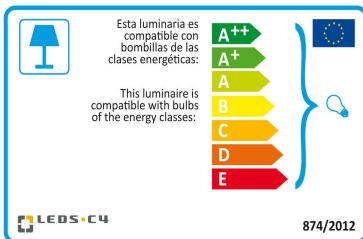




The photograph may not match the reference exactly. Please read the product description to identify the finish.



[Download photometric file .ldt / .ies](#)



[Click on image to download energy label](#)

## Description

Downlights prepared for recessed ceiling installation. Housing in plaster with a steel plate fixture. Different versions available depending on form, directability and number of lamps. Possibility of completely integrating the piece in the architecture by means of thermoplastic paint. Possibility of incorporating a GU10 lampholder as an accessory.

## TECHNICAL CHARACTERISTICS

|                        |                      |
|------------------------|----------------------|
| Type:                  | DOWNLIGHT RECESSED   |
| IP Protection degrees: | IP23                 |
| Light source 1:        | 1 x GU5.3<br>max 35W |
| Voltage / Frequency:   | 12V/50-60Hz          |
| Warranty (Years):      | 2                    |
| Units per box:         | 24                   |
| Net Weight (Kg):       | 0.47                 |
| EAN:                   | 8435381410476        |



## MATERIALS / FINISHES

**Structure material:** Plaster

**Structure finish:** White

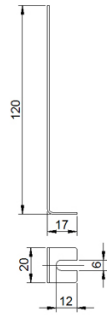
## GEAR

Necessary equipment not included. For more information check website / catalogs / sales organization.

71-1881-00-00



Kit for GU10 lamps, Max. 50W



71-4032-N3-M2



LED module. For installation, the light must be completed with one of the different surrounds available.

**Structure material:** Aluminium  
**Structure finish:** Grey  
**Diffuser material:** Polycarbonate  
**Diffuser finish:** Transparent



IP20

71-4033-N3-M2



LED module. For installation, the light must be completed with one of the different surrounds available.

**Structure material:** Aluminium  
**Structure finish:** Grey  
**Diffuser material:** Polycarbonate  
**Diffuser finish:** Transparent



IP20

71-3885-N3-M2



LED module. For installation, the light must be completed with one of the different surrounds available.

**Structure material:** Aluminium  
**Structure finish:** Grey  
**Diffuser material:** Polycarbonate  
**Diffuser finish:** Transparent



IP20

71-3886-N3-M2



LED module. For installation, the light must be completed with one of the different surrounds available.

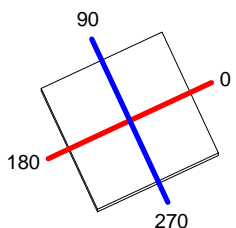
|                            |               |
|----------------------------|---------------|
| <b>Structure material:</b> | Aluminium     |
| <b>Structure finish:</b>   | Grey          |
| <b>Diffuser material:</b>  | Polycarbonate |
| <b>Diffuser finish:</b>    | Transparent   |

IP20

|                            |                |                             |                 |              |           |      |
|----------------------------|----------------|-----------------------------|-----------------|--------------|-----------|------|
| <b>Luminaire</b>           |                | <b>Measur.</b>              |                 | <b>Lamp</b>  |           |      |
| Code                       | 90-2902        | Code                        | 90-2902         | Code         | Halogen   |      |
| Name                       | RECESSED LIGHT | Name                        | RECESSED LIGHT  | Number       | 1         |      |
| Line                       | Eulumdat       | Date                        | 15-11-2013      | Position     |           |      |
| Efficiency                 | 67.94%         | Coordinate system           | CG              | Total Flux   | 430.00 lm |      |
| Maximum value              | 849.69 cd      | Position                    | C=90.00 G=10.00 | Asymmetrical |           |      |
| Rectangular Luminaire      | Length         | 53 mm                       | Width           | 53 mm        | Height    | 1 mm |
| Rectangular Luminous Area  | Length         | 53 mm                       | Width           | 53 mm        | Height    | 0 mm |
| Horizontal Luminous Area   | 0.002809 m2    | Emitting area on Plane 180° |                 | 0.000000 m2  |           |      |
| Emitting area on Plane 0°  | 0.000000 m2    | Emitting area on Plane 270° |                 | 0.000000 m2  |           |      |
| Emitting area on Plane 90° | 0.000000 m2    | Glare area at 76°           |                 | 0.000680 m2  |           |      |
| Symmetry Type              | Asymmetrical   | Maximum Gamma Angle         |                 | 90           |           |      |
| Measurement Distance       | 0.00           | Measurement Flux            |                 | 430.00 lm    |           |      |
| Operator                   |                | Source voltage              |                 |              |           |      |
| Temperature                | 25.00 °C       | Source current              |                 |              |           |      |
| Humidity                   | 60.00 %        | Photocell                   |                 |              |           |      |
| Notes                      |                |                             |                 |              |           |      |

| Luminaire Lamps |                 |                   |           |          |      |  |
|-----------------|-----------------|-------------------|-----------|----------|------|--|
| Line            | Code            | Name              | Flux [lm] | Pow. [W] | Q.ty |  |
| Eulumdat        | Halogen         | Halogen - 31.90 W | 430.00    | 31.90    | 1    |  |
| C.I.E.          | 86 94 97 100 68 | D DIN 5040        |           | A60      |      |  |
| F UTE           | 0.68 A          | B NBN             |           | BZ 1     |      |  |

53mm x 53mm



**C Halfplanes**

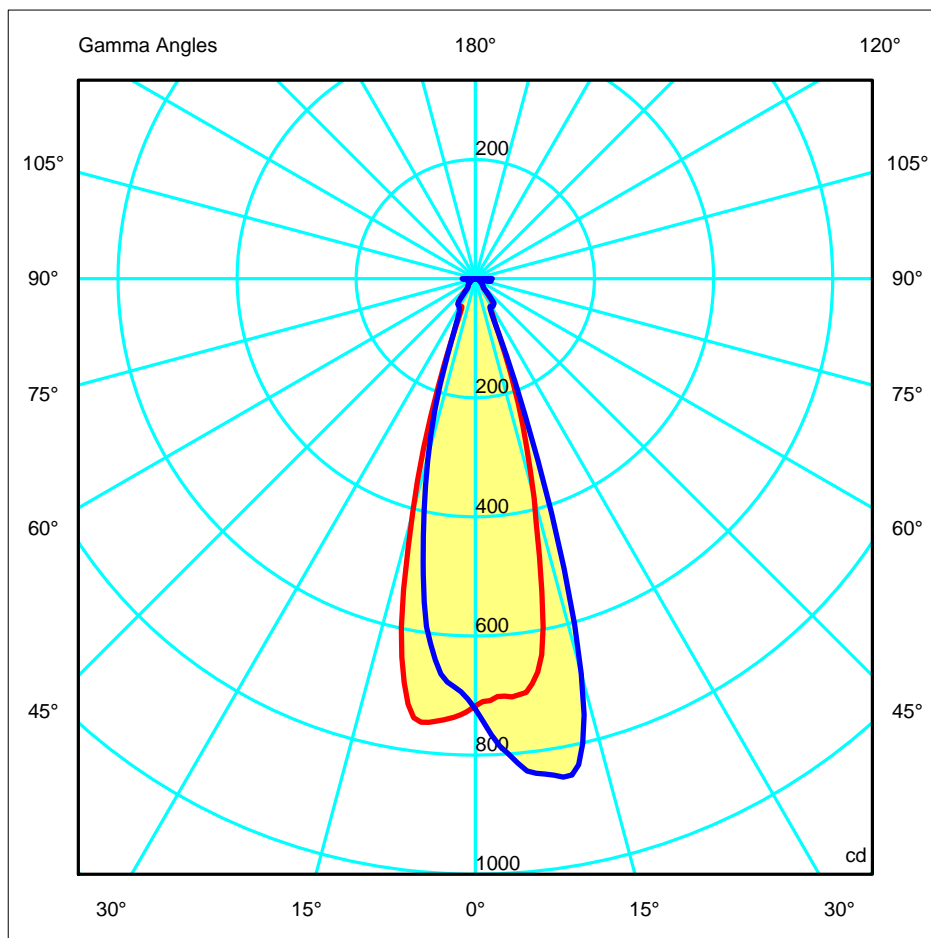
180.0 — 0.0

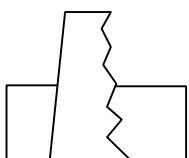
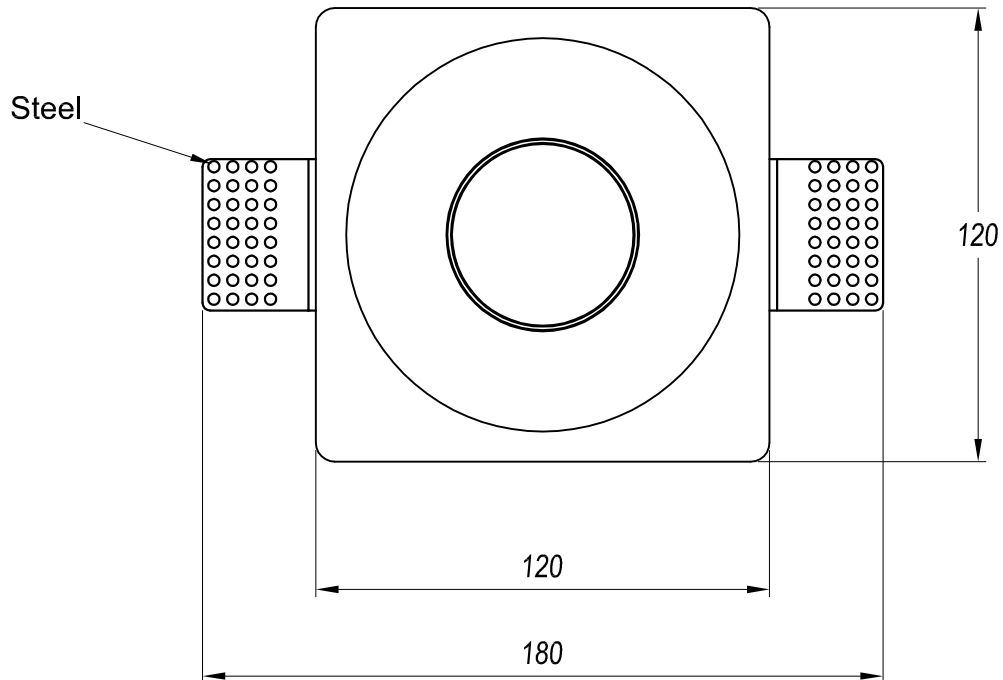
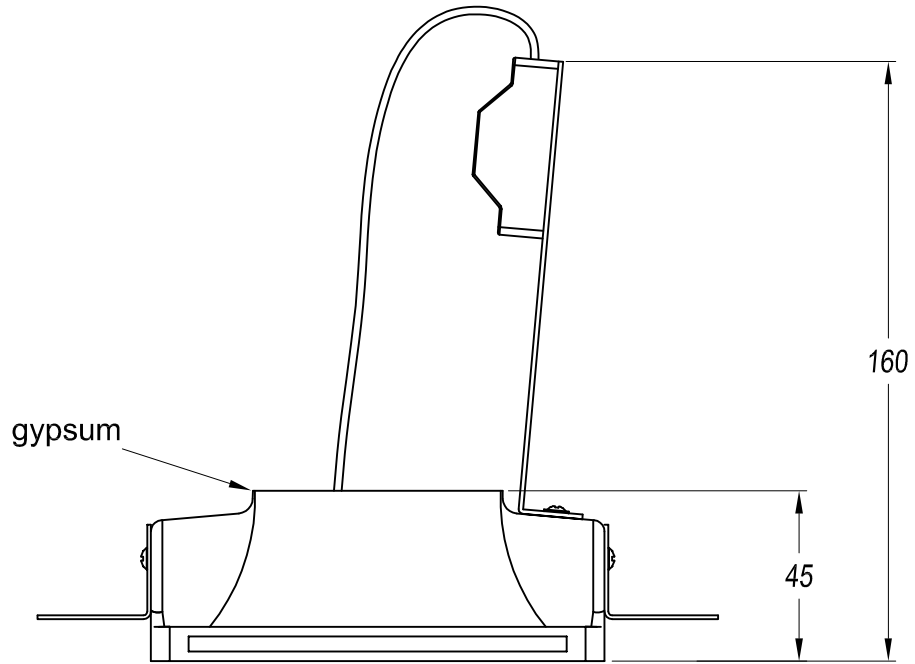
270.0 — 90.0

ULOR 0.00 %

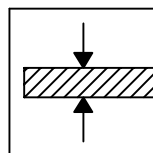
DLOR 67.94 %

RN 0.00 %






125x125 mm



9-15mm

Scale 1:2 14-10-13

| REF.    | LAMP             | SOCKET |  |
|---------|------------------|--------|---|
| 90-2902 | QR-CBC51 MAX 35W | GX5.3  | 125x125mm   |

 IF YOU PAINT, PLEASE USE HEAT RESISTANT PAINT. 

